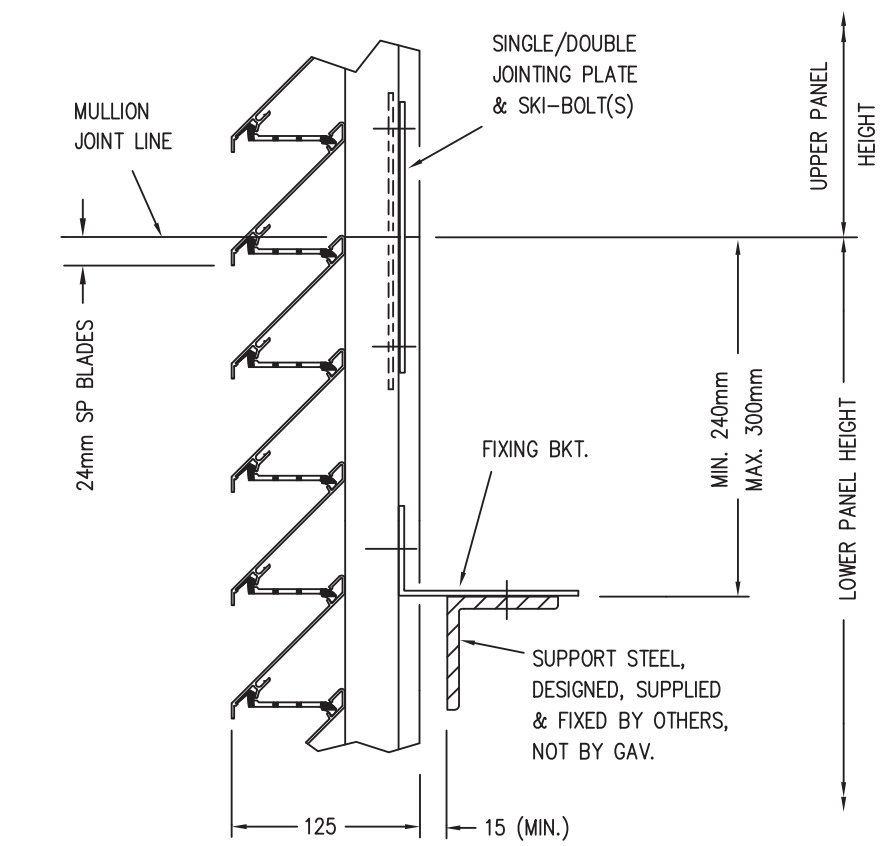
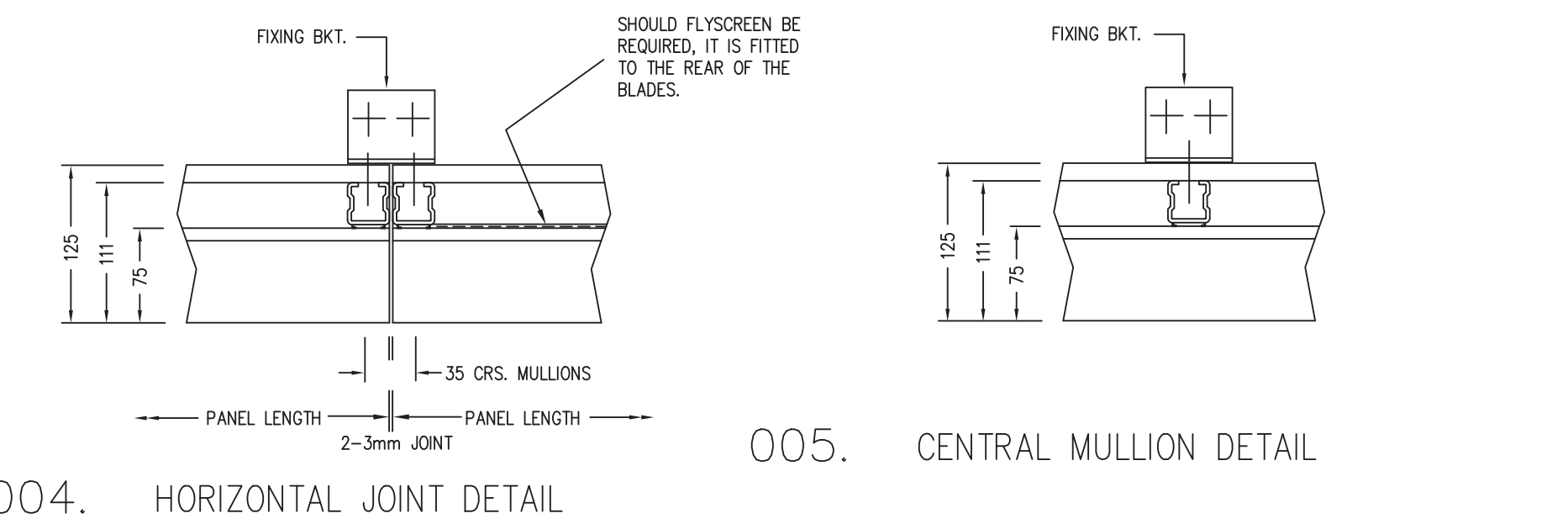
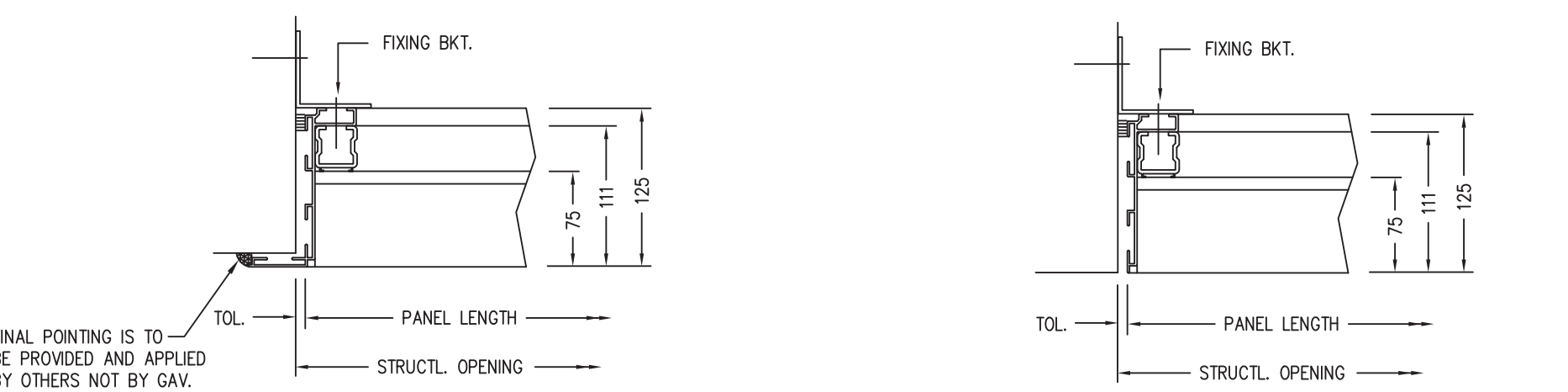
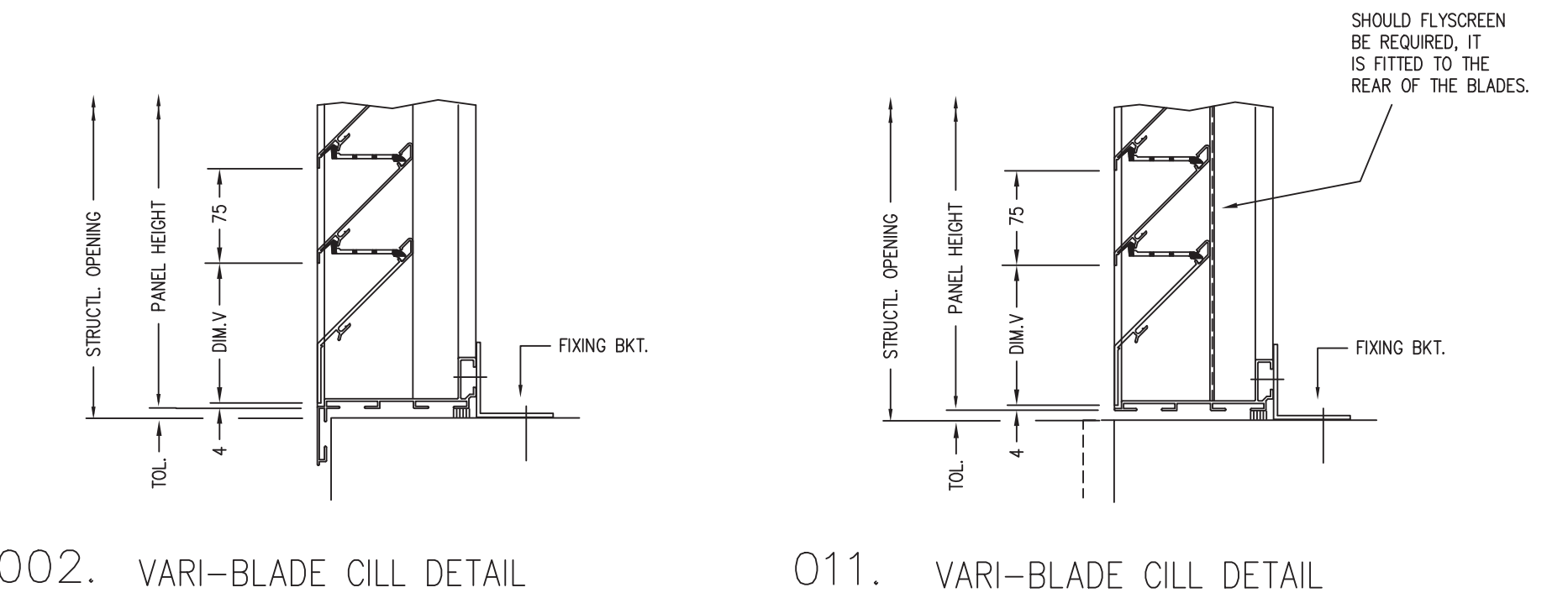
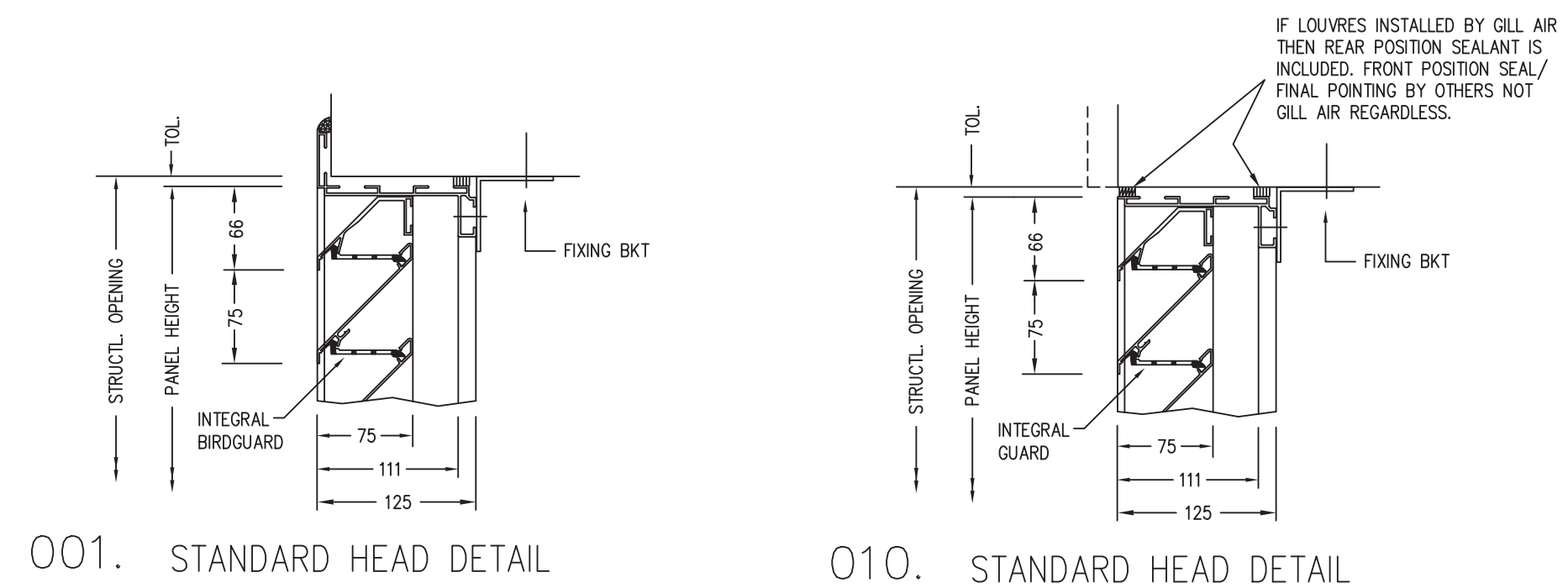


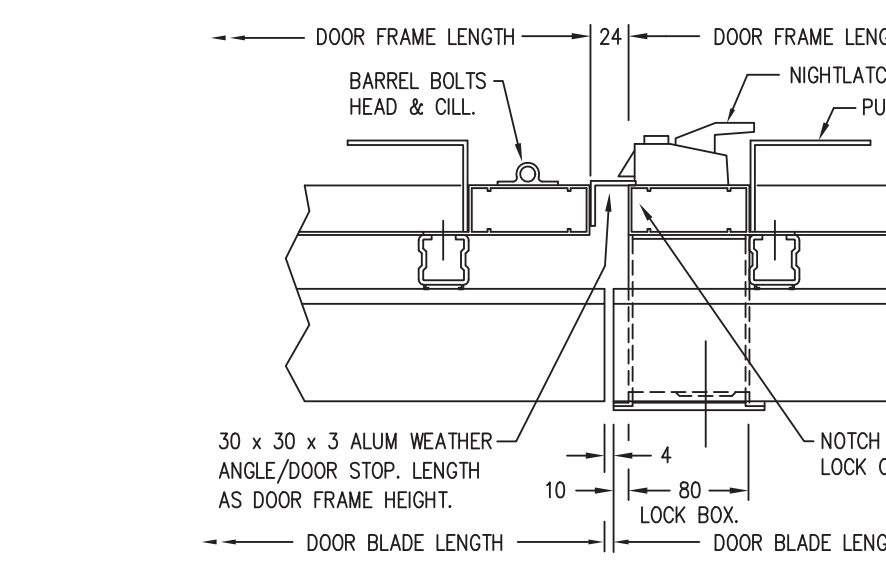
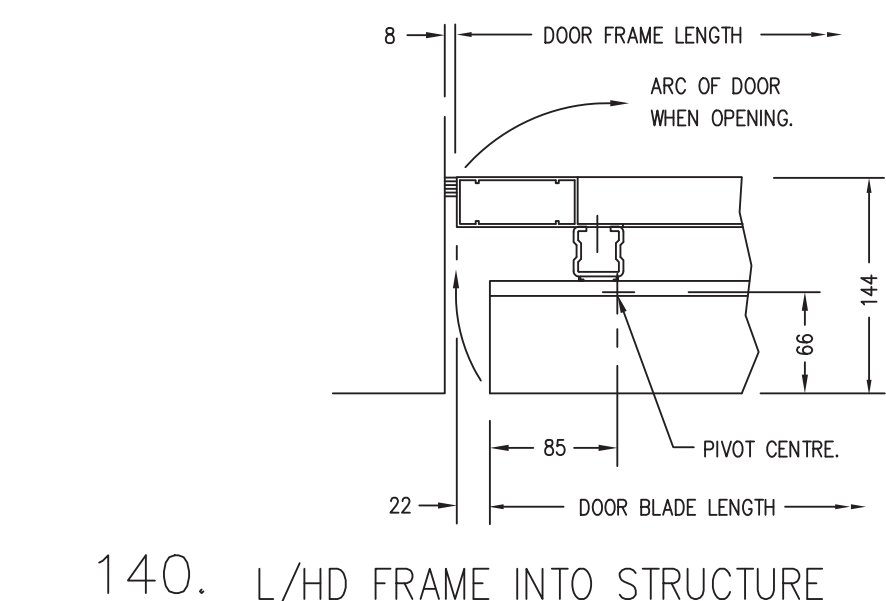
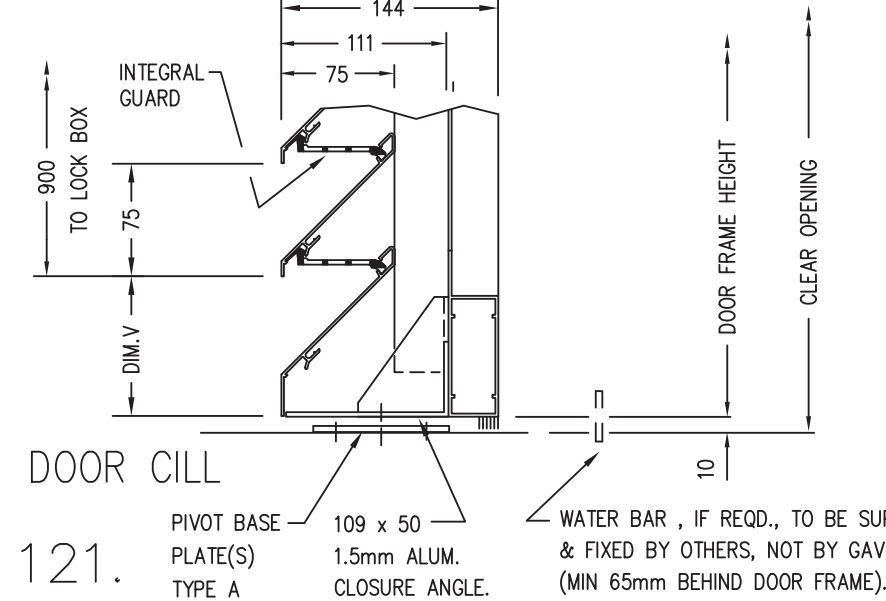
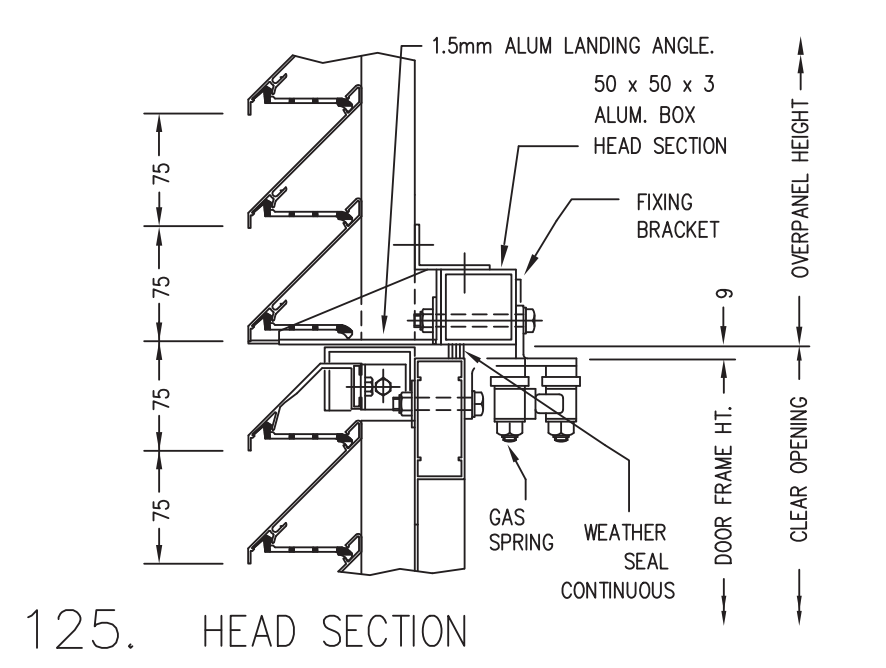
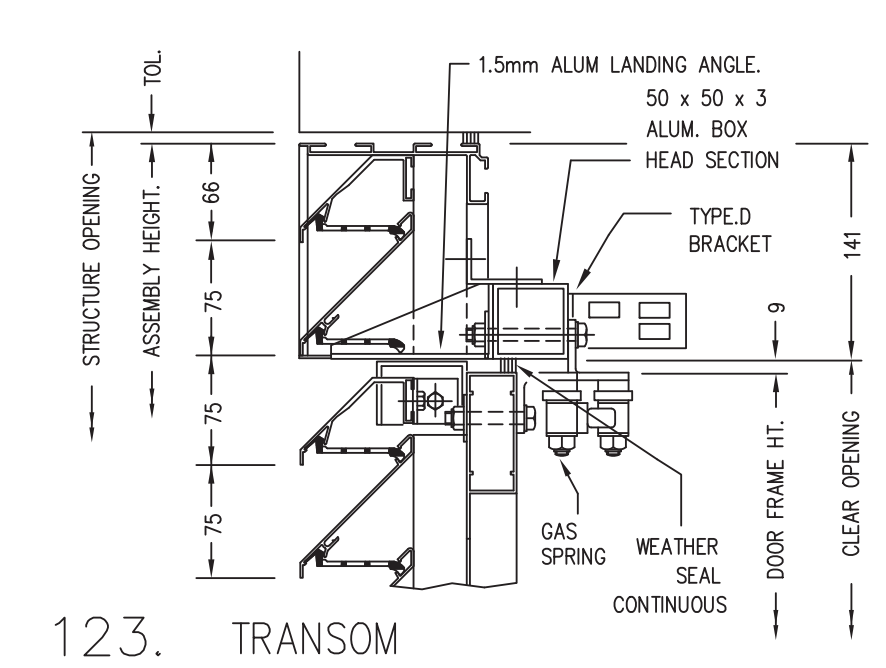
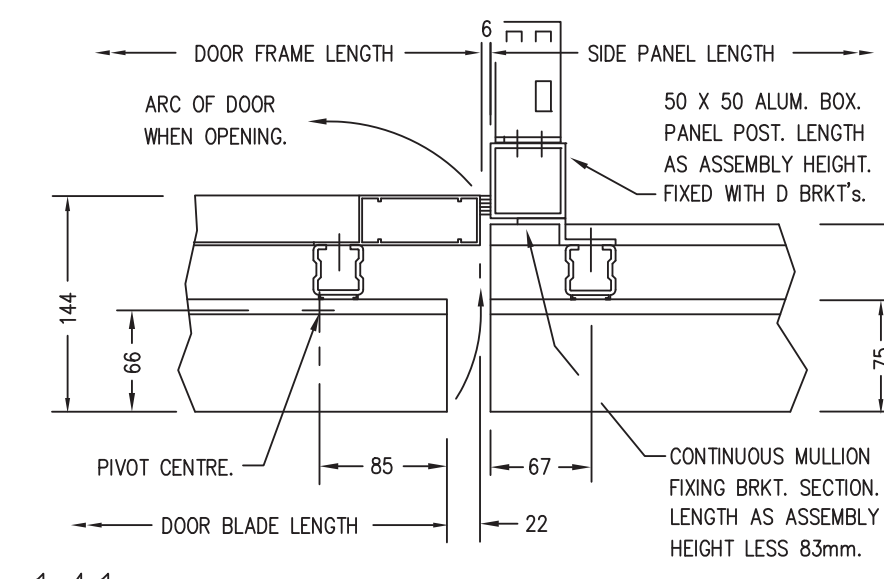
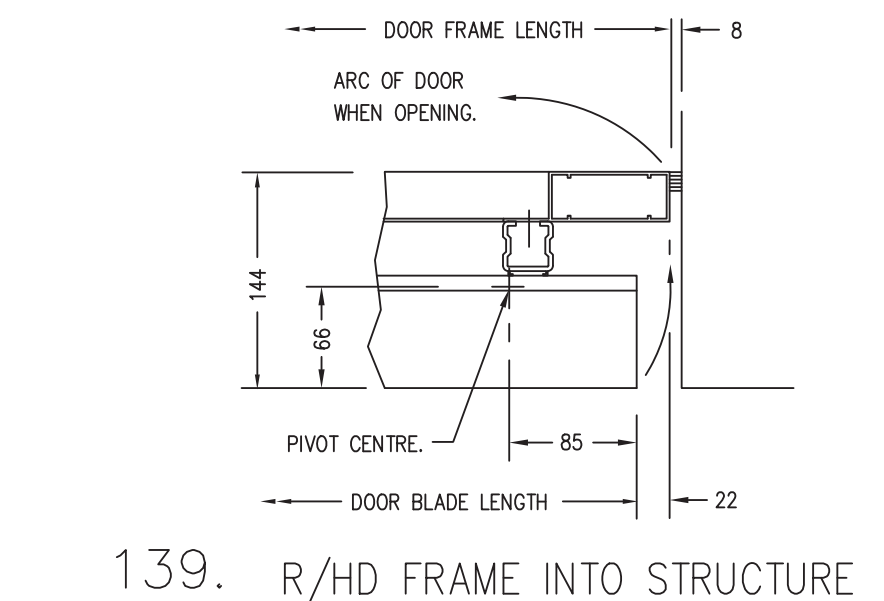
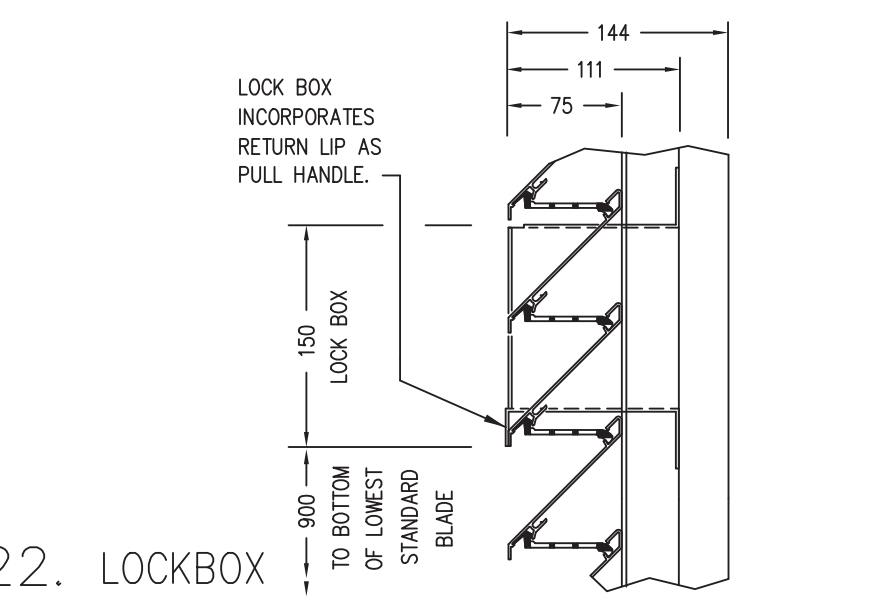
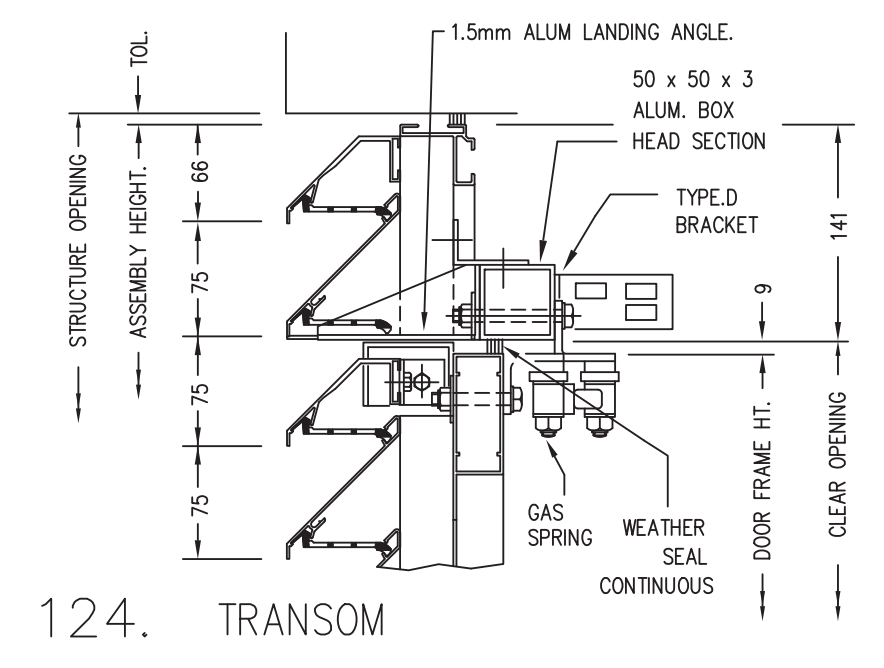
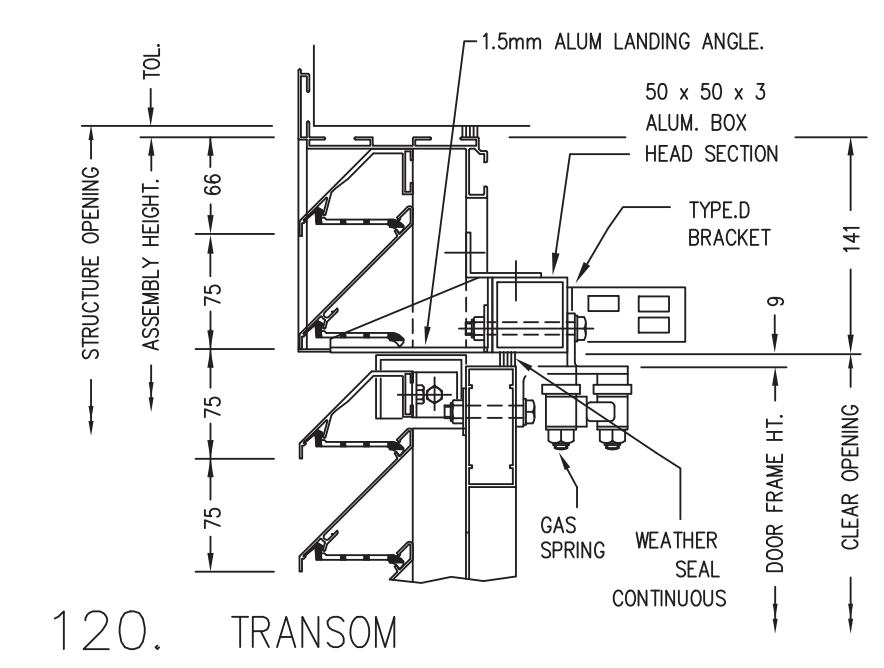
SECTIONAL DETAILS



006. VERTICAL JOINT DETAIL
INTERMEDIATE RAILS REQ'D ON ASSEMBLIES OVER 2500mm HIGH

ASSEMBLIES CAN BE MADE TO ANY SIZE, LENGTH OR HEIGHT. MAXIMUM INDIVIDUAL PANELS ARE RESTRICTED TO 2.5m² FOR HANDLING AND SITE WORK. ANY ASSEMBLY OVER 2.5M HIGH WOULD NEED TO BE SPLIT VERTICALLY INTO SEPARATE LIFTS. TRIMS ARE ONLY ADDED TO THE PERIPHERY. CONTINUOUS APPEARANCE IS ACHIEVED AT THE BANKING JOINS.

DOOR DETAILS



YES SUPPLY ONLY YES SUPPLY & FIX

LOUVER TYPE :
TRIM TYPE :
GUARD TYPE : BIRDCUARD
PAINT TYPE : POLYESTER POWDER PAINT
FINISH : MATT/GLOSS
COLOUR :
LOCATION :
CUSTOMERS REF :
GAV REF :

DO NOT SCALE DRAWING, IF IN DOUBT ASK.
ALL DETAILS & DIMENSIONS MUST BE CONFIRMED AS CORRECT BEFORE MANUFACTURE OF LOUVRES CAN COMMENCE.
CUSTOMER DRAWINGS USED :-

Rev	Description	Mod. By	Date
-----	-------------	---------	------

© COPYRIGHT 2009 HUNTER PRODUCTS
THIS DRAWING & DESIGN ARE THE PROPERTY OF HUNTER PRODUCTS GROUP, AND MUST NOT BE COPIED OR USED IN ANY WAY PREJUDICIAL TO THEIR INTERESTS.

Project

Customer

Drawing Title
TRANSLUCENT LOUVRE

Location/Panel Ref.

Drawing No.	Sheet No.	Revision
-------------	-----------	----------

Scale Date

Computer File No. Project No.

Drawn By Checked By

Coordinated By Approved By



NOTE: The details shown within this drawing are for use as an aid only. If you are unsure which blocks are best suited for your application please contact our technical team on (0161) 763 3735 and we will be

© COPYRIGHT 2009 HUNTER PRODUCTS
THIS DRAWING & DESIGN ARE THE PROPERTY OF HUNTER PRODUCTS GROUP, AND MUST NOT BE COPIED OR USED IN ANY WAY PREJUDICIAL TO THEIR INTERESTS.